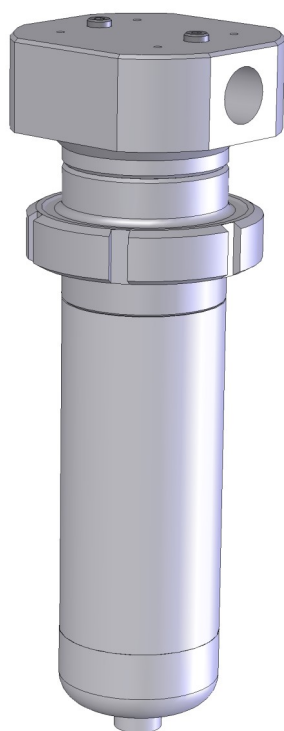




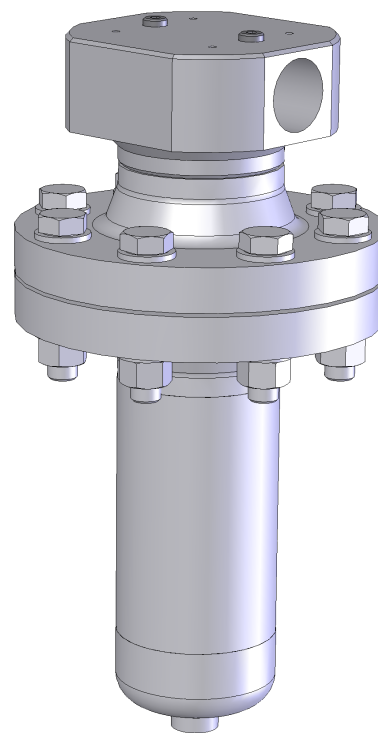
FILTER BOX SMALL HIGH PRESSURE

**CONTENITORI IN ACCIAIO
PER CARTUCCE FILTRANTI**

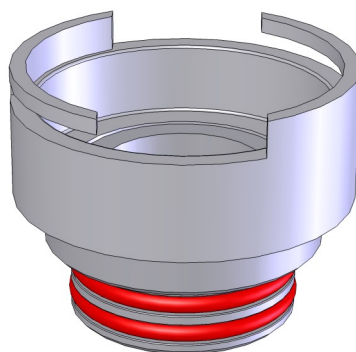
**STAINLESS STEEL CONTAINERS
FOR FILTERING CARTRIDGES**



Opening System DIN (OS-DIN)



Opening System By Flange (OS-BF)



Optional: adapter for code 7 cartridge

FILTER BOX SMALL for DOE CARTRIDGES - Tmax 140°C

MODELLO MODEL	MATERIALE MATERIAL	p ⁽¹⁾ Bar	DIMENSIONI / DIMENSIONS mm							C ⁽²⁾ N.	ATTACCHI CONNECTIONS			Q ⁽³⁾⁽⁴⁾ Mc/h	W ⁽⁵⁾ Kg
			A	B	C	D	E	F	G		I/O ⁽⁶⁾	V ⁽⁷⁾	D ⁽⁸⁾		
SMALL 10-1" OS-DIN SS316 1x10 DOE	SS316	25	88,9	135	125	392	367	285		1 x 10"	1"	1/8"	1/2"	3,5	8,7
SMALL 20-1" OS-DIN SS316 1x20 DOE	SS316	25	88,9	135	125	642	617	535		1 x 20"	1"	1/8"	1/2"	3,5	9,8
SMALL 30-1" OS-DIN SS316 1x30 DOE	SS316	25	88,9	135	125	897	872	790		1 x 30"	1"	1/8"	1/2"	3,5	11
SMALL 40-1" OS-DIN SS316 1x40 DOE	SS316	25	88,9	135	125	1147	1122	1040		1 x 40"	1"	1/8"	1/2"	3,5	12,1
SMALL 10-1" 1/4 OS-DIN SS316 1x10 DOE	SS316	25	88,9	135	125	392	367	285		1 x 10"	1" 1/4	1/8"	1/2"	7	8,7
SMALL 20-1" 1/4 OS-DIN SS316 1x20 DOE	SS316	25	88,9	135	125	642	617	535		1 x 20"	1" 1/4	1/8"	1/2"	7	9,8
SMALL 30-1" 1/4 OS-DIN SS316 1x30 DOE	SS316	25	88,9	135	125	897	872	790		1 x 30"	1" 1/4	1/8"	1/2"	7	11
SMALL 40-1" 1/4 OS-DIN SS316 1x40 DOE	SS316	25	88,9	135	125	1147	1122	1040		1 x 40"	1" 1/4	1/8"	1/2"	7	12,1
SMALL 10-1" OS-BF PN40 SS316 1x10 DOE	SS316	40	88,9	135	125	395	370	265	200	1 x 10"	1"	1/8"	1/2"	3,5	18,8
SMALL 20-1" OS-BF PN40 SS316 1x20 DOE	SS316	40	88,9	135	125	645	620	515	200	1 x 20"	1"	1/8"	1/2"	3,5	20,5
SMALL 30-1" OS-BF PN40 SS316 1x30 DOE	SS316	40	88,9	135	125	900	875	770	200	1 x 30"	1"	1/8"	1/2"	3,5	22,1
SMALL 40-1" OS-BF PN40 SS316 1x40 DOE	SS316	40	88,9	135	125	1150	1125	1020	200	1 x 40"	1"	1/8"	1/2"	3,5	23,8
SMALL 10-1" 1/4 OS-BF PN40 SS316 1x10 DOE	SS316	40	88,9	135	125	395	370	265	200	1 x 10"	1" 1/4	1/8"	1/2"	7	18,8
SMALL 20-1" 1/4 OS-BF PN40 SS316 1x20 DOE	SS316	40	88,9	135	125	645	620	515	200	1 x 20"	1" 1/4	1/8"	1/2"	7	20,5
SMALL 30-1" 1/4 OS-BF PN40 SS316 1x30 DOE	SS316	40	88,9	135	125	900	875	770	200	1 x 30"	1" 1/4	1/8"	1/2"	7	22,1
SMALL 40-1" 1/4 OS-BF PN40 SS316 1x40 DOE	SS316	40	88,9	135	125	1150	1125	1020	200	1 x 40"	1" 1/4	1/8"	1/2"	7	23,8
SMALL 10-1" OS-BF PN63 SS316 1x10 DOE	SS316	63	88,9	135	125	392	367	248	215	1 x 10"	1"	1/8"	1/2"	3,5	24,6
SMALL 20-1" OS-BF PN63 SS316 1x20 DOE	SS316	63	88,9	135	125	642	617	498	215	1 x 20"	1"	1/8"	1/2"	3,5	26,8
SMALL 30-1" OS-BF PN63 SS316 1x30 DOE	SS316	63	88,9	135	125	897	872	753	215	1 x 30"	1"	1/8"	1/2"	3,5	29
SMALL 40-1" OS-BF PN63 SS316 1x40 DOE	SS316	63	88,9	135	125	1147	1122	1003	215	1 x 40"	1"	1/8"	1/2"	3,5	31,1
SMALL 10-1" 1/4 OS-BF PN63 SS316 1x10 DOE	SS316	63	88,9	135	125	392	367	248	215	1 x 10"	1" 1/4	1/8"	1/2"	7	24,6
SMALL 20-1" 1/4 OS-BF PN63 SS316 1x20 DOE	SS316	63	88,9	135	125	642	617	498	215	1 x 20"	1" 1/4	1/8"	1/2"	7	26,8
SMALL 30-1" 1/4 OS-BF PN63 SS316 1x30 DOE	SS316	63	88,9	135	125	897	872	753	215	1 x 30"	1" 1/4	1/8"	1/2"	7	29
SMALL 40-1" 1/4 OS-BF PN63 SS316 1x40 DOE	SS316	63	88,9	135	125	1147	1122	1003	215	1 x 40"	1" 1/4	1/8"	1/2"	7	31,1

(1) Pressione max / Pressure max

(2) Cartucce / Cartridges

(3) Portata / Flow Rate

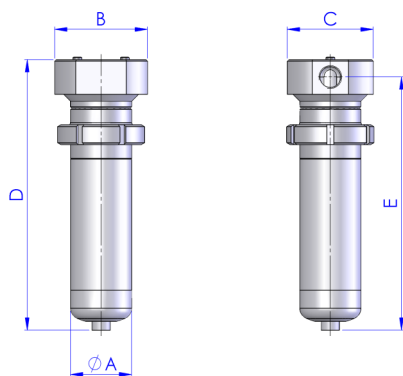
(4) Portata senza cartucce. / Flow delivery without cartridges. Δp 0,2 Bar

(5) Peso / Weight

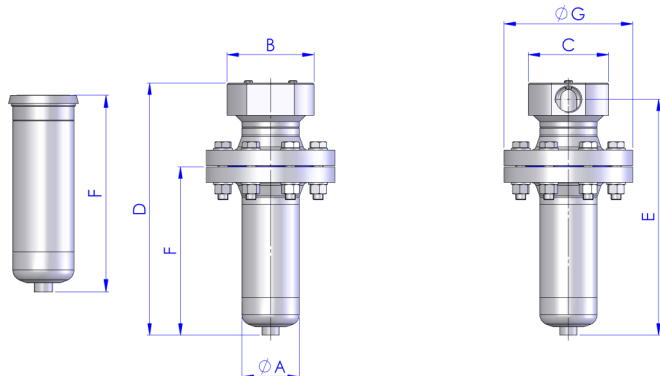
(6) Connessione di ingresso ed uscita / Inlet and outlet connections

(7) Sfiato / Air vent

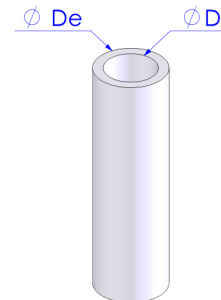
(8) Scarico / Drain



SMALL OS-DIN



SMALL OS-BF



Dimensioni / Dimentions

D _e	2" 1/2 (63,5 mm)
D _i	28 mm



FILTER BOX SMALL for CODE 8 CARTRIDGES - T_{max} 140°C

MODELLO MODEL	MATERIALE MATERIAL	p ⁽¹⁾ Bar	DIMENSIONI / DIMENSIONS mm							C ⁽²⁾ N.	ATTACCHI CONNECTIONS			Q ⁽³⁾⁽⁴⁾ Mc/h	W ⁽⁵⁾ Kg
			A	B	C	D	E	F	G		I/O ⁽⁶⁾	V ⁽⁷⁾	D ⁽⁸⁾		
SMALL 10-1" OS-DIN SS316 1x10 CODE8	SS316	25	88,9	135	125	436	411	329		1 x 10"	1"	1/8"	1/2"	3,5	8,7
SMALL 20-1" OS-DIN SS316 1x20 CODE8	SS316	25	88,9	135	125	691	666	584		1 x 20"	1"	1/8"	1/2"	3,5	9,8
SMALL 30-1" OS-DIN SS316 1x30 CODE8	SS316	25	88,9	135	125	941	916	834		1 x 30"	1"	1/8"	1/2"	3,5	11
SMALL 40-1" OS-DIN SS316 1x40 CODE8	SS316	25	88,9	135	125	1196	1171	1089		1 x 40"	1"	1/8"	1/2"	3,5	12,1
SMALL 10-1"1/4 OS-DIN SS316 1x10 CODE8	SS316	25	88,9	135	125	436	411	329		1 x 10"	1" 1/4	1/8"	1/2"	7	8,7
SMALL 20-1"1/4 OS-DIN SS316 1x20 CODE8	SS316	25	88,9	135	125	691	666	584		1 x 20"	1" 1/4	1/8"	1/2"	7	9,8
SMALL 30-1"1/4 OS-DIN SS316 1x30 CODE8	SS316	25	88,9	135	125	941	916	834		1 x 30"	1" 1/4	1/8"	1/2"	7	11
SMALL 40-1"1/4 OS-DIN SS316 1x40 CODE8	SS316	25	88,9	135	125	1196	1171	1089		1 x 40"	1" 1/4	1/8"	1/2"	7	12,1
SMALL 10-1" OS-BF PN40 SS316 1x10 CODE8	SS316	40	88,9	135	125	440	415	310	200	1 x 10"	1"	1/8"	1/2"	3,5	18,8
SMALL 20-1" OS-BF PN40 SS316 1x20 CODE8	SS316	40	88,9	135	125	695	670	565	200	1 x 20"	1"	1/8"	1/2"	3,5	20,5
SMALL 30-1" OS-BF PN40 SS316 1x30 CODE8	SS316	40	88,9	135	125	950	925	820	200	1 x 30"	1"	1/8"	1/2"	3,5	22,1
SMALL 40-1" OS-BF PN40 SS316 1x40 CODE8	SS316	40	88,9	135	125	1200	1175	1070	200	1 x 40"	1"	1/8"	1/2"	3,5	23,8
SMALL 10-1"1/4 OS-BF PN40 SS316 1x10 CODE8	SS316	40	88,9	135	125	440	415	310	200	1 x 10"	1" 1/4	1/8"	1/2"	7	18,8
SMALL 20-1"1/4 OS-BF PN40 SS316 1x20 CODE8	SS316	40	88,9	135	125	695	670	565	200	1 x 20"	1" 1/4	1/8"	1/2"	7	20,5
SMALL 30-1"1/4 OS-BF PN40 SS316 1x30 CODE8	SS316	40	88,9	135	125	950	925	820	200	1 x 30"	1" 1/4	1/8"	1/2"	7	22,1
SMALL 40-1"1/4 OS-BF PN40 SS316 1x40 CODE8	SS316	40	88,9	135	125	1200	1175	1070	200	1 x 40"	1" 1/4	1/8"	1/2"	7	23,8
SMALL 10-1" OS-BF PN63 SS316 1x10 CODE8	SS316	63	88,9	135	125	442	417	298	215	1 x 10"	1"	1/8"	1/2"	3,5	24,6
SMALL 20-1" OS-BF PN63 SS316 1x20 CODE8	SS316	63	88,9	135	125	692	667	548	215	1 x 20"	1"	1/8"	1/2"	3,5	26,8
SMALL 30-1" OS-BF PN63 SS316 1x30 CODE8	SS316	63	88,9	135	125	947	922	803	215	1 x 30"	1"	1/8"	1/2"	3,5	29
SMALL 40-1" OS-BF PN63 SS316 1x40 CODE8	SS316	63	88,9	135	125	1197	1172	1053	215	1 x 40"	1"	1/8"	1/2"	3,5	31,1
SMALL 10-1"1/4 OS-BF PN63 SS316 1x10 CODE8	SS316	63	88,9	135	125	442	417	298	215	1 x 10"	1" 1/4	1/8"	1/2"	7	24,6
SMALL 20-1"1/4 OS-BF PN63 SS316 1x20 CODE8	SS316	63	88,9	135	125	692	667	548	215	1 x 20"	1" 1/4	1/8"	1/2"	7	26,8
SMALL 30-1"1/4 OS-BF PN63 SS316 1x30 CODE8	SS316	63	88,9	135	125	947	922	803	215	1 x 30"	1" 1/4	1/8"	1/2"	7	29
SMALL 40-1"1/4 OS-BF PN63 SS316 1x40 CODE8	SS316	63	88,9	135	125	1197	1172	1053	215	1 x 40"	1" 1/4	1/8"	1/2"	7	31,1

(1) Pressione max / Pressure max

(2) Cartucce / Cartridges

(3) Portata / Flow Rate

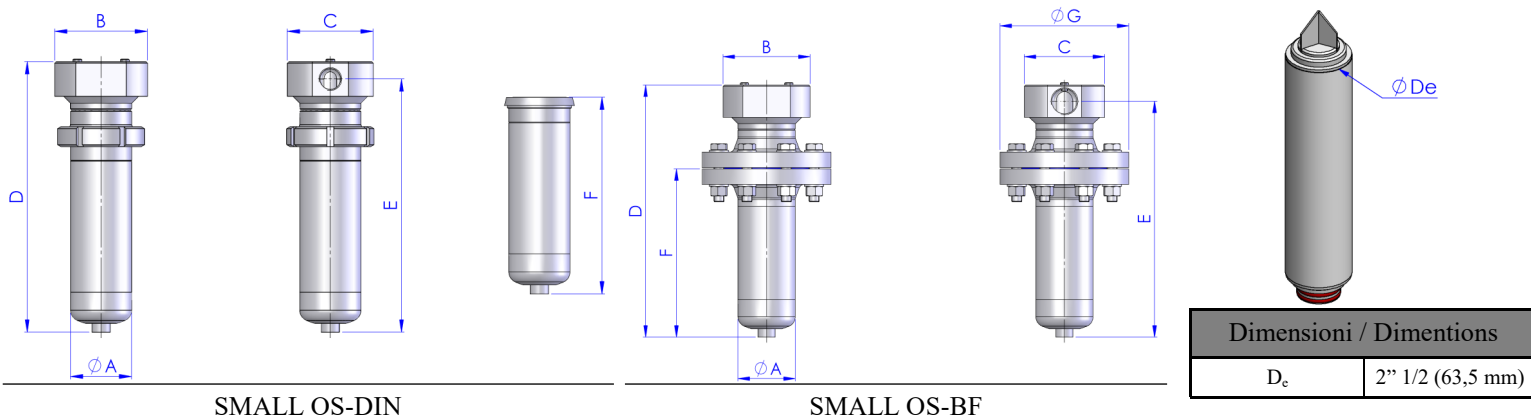
(4) Portata senza cartucce. / Flow delivery without cartridges. Δp 0,2 Bar

(5) Peso / Weight

(6) Connessione di ingresso ed uscita / Inlet and outlet connections

(7) Sfiato / Air vent

(8) Scarico / Drain





FILTER BOX SMALL for DOE CARTRIDGES - Tmax 140°C

MODELLO MODEL	Pmax Bar	V L	Gruppo 1 (Fluidi pericolosi) Group 1 (Dangerous fluids)				Gruppo 2 (Fluidi non pericolosi) Group 2 (Not dangerous fluids)			
			Gas		Liquido / Liquid		Gas		Liquido / Liquid	
			C	M	C	M	C	M	C	M
SMALL 10-1" OS-DIN SS316 1x10 DOE	25	1,88	I	A	Art. 4.3			Art. 4.3		Art. 4.3
SMALL 10-1"1/4 OS-DIN SS316 1x10 DOE	13				Art. 4.3			Art. 4.3		Art. 4.3
SMALL 20-1" OS-DIN SS316 1x20 DOE	25	3,28	II	A2	Art. 4.3			I	A	Art. 4.3
SMALL 20-1"1/4 OS-DIN SS316 1x20 DOE	15		I	A	Art. 4.3			Art. 4.3		Art. 4.3
	7				Art. 4.3			Art. 4.3		Art. 4.3
SMALL 30-1" OS-DIN SS316 1x30 DOE	25	4,71	II	A2	Art. 4.3			I	A	Art. 4.3
SMALL 30-1"1/4 OS-DIN SS316 1x30 DOE	10		I	A	Art. 4.3			Art. 4.3		Art. 4.3
	5				Art. 4.3			Art. 4.3		Art. 4.3
SMALL 40-1" OS-DIN SS316 1x40 DOE	25	6,14	II	A2	Art. 4.3			I	A	Art. 4.3
SMALL 40-1"1/4 OS-DIN SS316 1x40 DOE	8		I	A	Art. 4.3			Art. 4.3		Art. 4.3
	4				Art. 4.3			Art. 4.3		Art. 4.3
SMALL 10-1" OS-BF PN40 SS316 1x10 DOE	40	1,82	II	A2	Art. 4.3			I	A	Art. 4.3
SMALL 10-1"1/4 OS-BF PN40 SS316 1x10 DOE	27		I	A	Art. 4.3			Art. 4.3		Art. 4.3
	13				Art. 4.3			Art. 4.3		Art. 4.3
SMALL 20-1" OS-BF PN40 SS316 1x20 DOE	40	3,17	II	A2	Art. 4.3			I	A	Art. 4.3
SMALL 20-1"1/4 OS-BF PN40 SS316 1x20 DOE	15		I	A	Art. 4.3			Art. 4.3		Art. 4.3
	7				Art. 4.3			Art. 4.3		Art. 4.3
SMALL 30-1" OS-BF PN40 SS316 1x30 DOE	40	4,55	II	A2	Art. 4.3			I	A	Art. 4.3
SMALL 30-1"1/4 OS-BF PN40 SS316 1x30 DOE	10		I	A	Art. 4.3			Art. 4.3		Art. 4.3
	5				Art. 4.3			Art. 4.3		Art. 4.3
SMALL 40-1" OS-BF PN40 SS316 1x40 DOE	40	5,90	-	-	II	A2		II	A2	Art. 4.3
SMALL 40-1"1/4 OS-BF PN40 SS316 1x40 DOE	33		II	A2	Art. 4.3			Art. 4.3		Art. 4.3
	8		I	A	Art. 4.3			Art. 4.3		Art. 4.3
	4				Art. 4.3			Art. 4.3		Art. 4.3
SMALL 10-1" OS-BF PN63 SS316 1x10 DOE	63	1,74	II	A2	Art. 4.3			I	A	Art. 4.3
SMALL 10-1"1/4 OS-BF PN63 SS316 1x10 DOE	28		I	A	Art. 4.3			Art. 4.3		Art. 4.3
	14				Art. 4.3			Art. 4.3		Art. 4.3
SMALL 20-1" OS-BF PN63 SS316 1x20 DOE	63	3,03	II	A2	Art. 4.3			I	A	Art. 4.3
SMALL 20-1"1/4 OS-BF PN63 SS316 1x20 DOE	16		I	A	Art. 4.3			Art. 4.3		Art. 4.3
	7				Art. 4.3			Art. 4.3		Art. 4.3
SMALL 30-1" OS-BF PN63 SS316 1x30 DOE	63	4,34	-	-	II	A2		II	A2	Art. 4.3
SMALL 30-1"1/4 OS-BF PN63 SS316 1x30 DOE	46		II	A2	Art. 4.3			Art. 4.3		Art. 4.3
	11		I	A	Art. 4.3			Art. 4.3		Art. 4.3
	5				Art. 4.3			Art. 4.3		Art. 4.3
SMALL 40-1" OS-BF PN63 SS316 1x40 DOE	63	5,63	-	-	II	A2		II	A2	Art. 4.3
SMALL 40-1"1/4 OS-BF PN63 SS316 1x40 DOE	35		II	A2	Art. 4.3			Art. 4.3		Art. 4.3
	8		I	A	Art. 4.3			Art. 4.3		Art. 4.3
	4			Art. 4.3			Art. 4.3		Art. 4.3	



FILTER BOX SMALL for CODE 8 CARTRIDGES - Tmax 140°C

MODELLO MODEL	Pmax Bar	V L	Gruppo 1 (Fluidi pericolosi) Group 1 (Dangerous fluids)				Gruppo 2 (Fluidi non pericolosi) Group 2 (Not dangerous fluids)			
			Gas		Liquido / Liquid		Gas		Liquido / Liquid	
			C	M	C	M	C	M	C	M
SMALL 10-1" OS-DIN SS316 1x10 CODE8 SMALL 10-1"1/4 OS-DIN SS316 1x10 CODE8	25	2,13	II	A2	Art. 4.3		I	A	Art. 4.3	
	23		I	A	Art. 4.3		Art. 4.3		Art. 4.3	
	11		Art. 4.3		Art. 4.3		Art. 4.3		Art. 4.3	
SMALL 20-1" OS-DIN SS316 1x20 CODE8 SMALL 20-1"1/4 OS-DIN SS316 1x20 CODE8	25	3,53	II	A2	Art. 4.3		I	A	Art. 4.3	
	14		I	A	Art. 4.3		Art. 4.3		Art. 4.3	
	7		Art. 4.3		Art. 4.3		Art. 4.3		Art. 4.3	
SMALL 30-1" OS-DIN SS316 1x30 CODE8 SMALL 30-1"1/4 OS-DIN SS316 1x30 CODE8	25	4,96	II	A2	Art. 4.3		I	A	Art. 4.3	
	10		I	A	Art. 4.3		Art. 4.3		Art. 4.3	
	5		Art. 4.3		Art. 4.3		Art. 4.3		Art. 4.3	
SMALL 40-1" OS-DIN SS316 1x40 CODE8 SMALL 40-1"1/4 OS-DIN SS316 1x40 CODE8	25	6,39	II	A2	Art. 4.3		I	A	Art. 4.3	
	7		I	A	Art. 4.3		Art. 4.3		Art. 4.3	
	3		Art. 4.3		Art. 4.3		Art. 4.3		Art. 4.3	
SMALL 10-1" OS-BF PN40 SS316 1x10 CODE8 SMALL 10-1"1/4 OS-BF PN40 SS316 1x10 CODE8	40	2,07	II	A2	Art. 4.3		I	A	Art. 4.3	
	24		I	A	Art. 4.3		Art. 4.3		Art. 4.3	
	12		Art. 4.3		Art. 4.3		Art. 4.3		Art. 4.3	
SMALL 20-1" OS-BF PN40 SS316 1x20 CODE8 SMALL 20-1"1/4 OS-BF PN40 SS316 1x20 CODE8	40	3,45	II	A2	Art. 4.3		I	A	Art. 4.3	
	14		I	A	Art. 4.3		Art. 4.3		Art. 4.3	
	7		Art. 4.3		Art. 4.3		Art. 4.3		Art. 4.3	
SMALL 30-1" OS-BF PN40 SS316 1x30 CODE8 SMALL 30-1"1/4 OS-BF PN40 SS316 1x30 CODE8	40	4,83	II	A2	Art. 4.3		I	A	Art. 4.3	
	10		I	A	Art. 4.3		Art. 4.3		Art. 4.3	
	5		Art. 4.3		Art. 4.3		Art. 4.3		Art. 4.3	
SMALL 40-1" OS-BF PN40 SS316 1x40 CODE8 SMALL 40-1"1/4 OS-BF PN40 SS316 1x40 CODE8	40	6,18	-	-	II	A2	II	A2	Art. 4.3	
	32		II	A2	Art. 4.3		Art. 4.3		Art. 4.3	
	8		I	A	Art. 4.3		Art. 4.3		Art. 4.3	
	4		Art. 4.3		Art. 4.3		Art. 4.3		Art. 4.3	
SMALL 10-1" OS-BF PN63 SS316 1x10 CODE8 SMALL 10-1"1/4 OS-BF PN63 SS316 1x10 CODE8	63	2,01	II	A2	Art. 4.3		I	A	Art. 4.3	
	24		I	A	Art. 4.3		Art. 4.3		Art. 4.3	
	14		Art. 4.3		Art. 4.3		Art. 4.3		Art. 4.3	
SMALL 20-1" OS-BF PN63 SS316 1x20 CODE8 SMALL 20-1"1/4 OS-BF PN63 SS316 1x20 CODE8	63	3,30	-	-	II	A2	II	A2	Art. 4.3	
	60		II	A2	Art. 4.3		Art. 4.3		Art. 4.3	
	15		I	A	Art. 4.3		Art. 4.3		Art. 4.3	
	7		Art. 4.3		Art. 4.3		Art. 4.3		Art. 4.3	
SMALL 30-1" OS-BF PN63 SS316 1x30 CODE8 SMALL 30-1"1/4 OS-BF PN63 SS316 1x30 CODE8	63	4,61	-	-	II	A2	II	A2	Art. 4.3	
	46		II	A2	Art. 4.3		Art. 4.3		Art. 4.3	
	10		I	A	Art. 4.3		Art. 4.3		Art. 4.3	
SMALL 40-1" OS-BF PN63 SS316 1x40 CODE8 SMALL 40-1"1/4 OS-BF PN63 SS316 1x40 CODE8	63	5,90	-	-	II	A2	II	A2	Art. 4.3	
	33		II	A2	Art. 4.3		Art. 4.3		Art. 4.3	
	8		I	A	Art. 4.3		Art. 4.3		Art. 4.3	
	4		Art. 4.3		Art. 4.3		Art. 4.3		Art. 4.3	